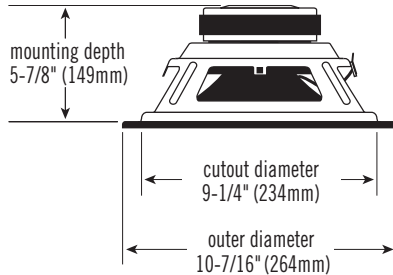


# Infinity *Reference 1060w 10" Woofer – Technical Data*

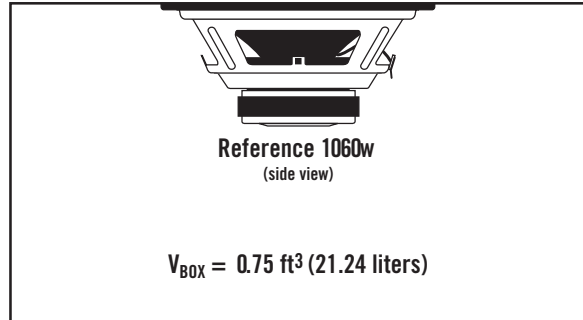
## SPECIFICATIONS

DIAMETER:	10" (250MM)
SENSITIVITY (2.83V @ 1M):	91dB
POWER HANDLING:	275W <sub>RMS</sub> (1100W <sub>PEAK</sub> )
FREQUENCY RESPONSE:	25Hz ~ 400Hz
NOMINAL IMPEDANCE:	4 OHMS
VOICE COIL DIAMETER:	2.0" (51.0MM)

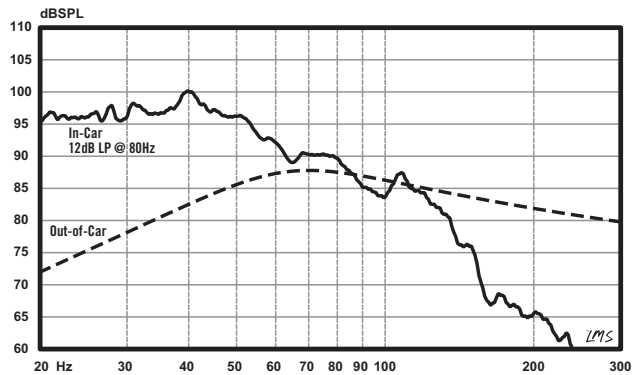
### DIMENSIONS:



## SEALED BOX VOLUME (INCLUDES DRIVER DISPLACEMENT)



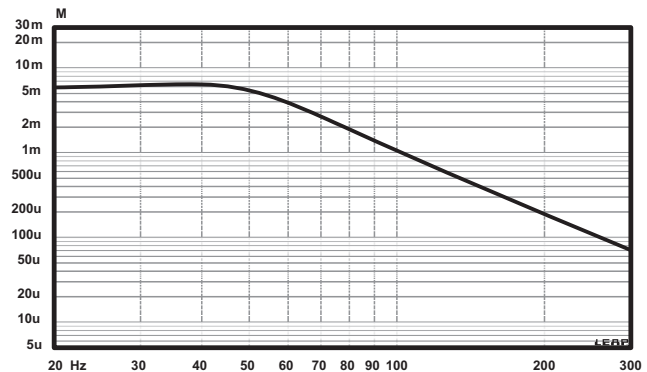
## SEALED ENCLOSURE FREQUENCY RESPONSE @ 2.83V



## THIELE-SMALL PARAMETERS

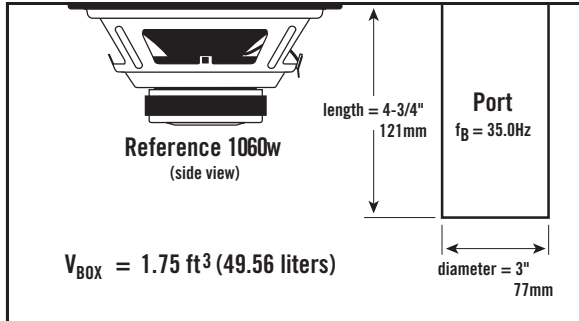
VOICE COIL DC RESISTANCE:	$R_{EVC}$ (OHMS) . . . . .	3.59
VOICE COIL INDUCTANCE @ 1kHz:	$L_{EVC}$ (MH) . . . . .	2.83
DRIVER RADIATING AREA:	$S_D$ (IN <sup>2</sup> ) . . . . .	56.265
	$S_D$ (M <sup>2</sup> ) . . . . .	363.00
MOTOR FORCE FACTOR:	$BL$ (TM) . . . . .	16.02
COMPLIANCE VOLUME:	$V_{AS}$ (FT <sup>3</sup> ) . . . . .	1.16
	$V_{AS}$ (LITERS) . . . . .	32.90
SUSPENSION COMPLIANCE:	$C_{MS}$ (µM/N) . . . . .	175.00
MOVING MASS, AIR LOAD:	$M_{MS}$ (GRAMS) . . . . .	173.00
MOVING MASS, DIAPHRAGM:	$M_{MD}$ (GRAMS) . . . . .	169.00
FREE-AIR RESONANCE:	$F_S$ (HZ) . . . . .	29.00
MECHANICAL Q:	$Q_{MS}$ . . . . .	7.59
ELECTRICAL Q:	$Q_{ES}$ . . . . .	0.44
TOTAL Q:	$Q_{TS}$ . . . . .	0.42
MAGNETIC-GAP HEIGHT:	$H_{AG}$ (IN) . . . . .	0.314
	$H_{AG}$ (MM) . . . . .	8.00
VOICE COIL HEIGHT:	$H_{VC}$ (IN) . . . . .	1.34
	$H_{VC}$ (MM) . . . . .	34
MAXIMUM EXCURSION:	$X_{MAX}$ (IN) . . . . .	0.512
	$X_{MAX}$ (MM) . . . . .	13.00

## SEALED ENCLOSURE CONE EXCURSION @ 275W

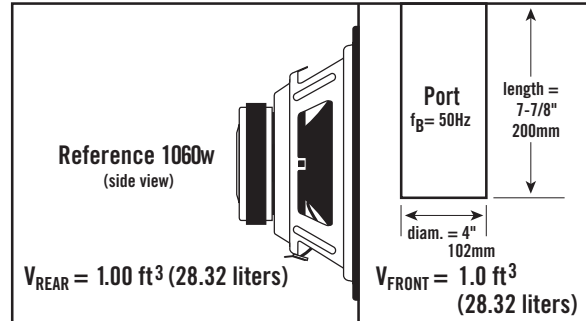


# Infinity Reference 1060w 10" Woofer – Technical Data

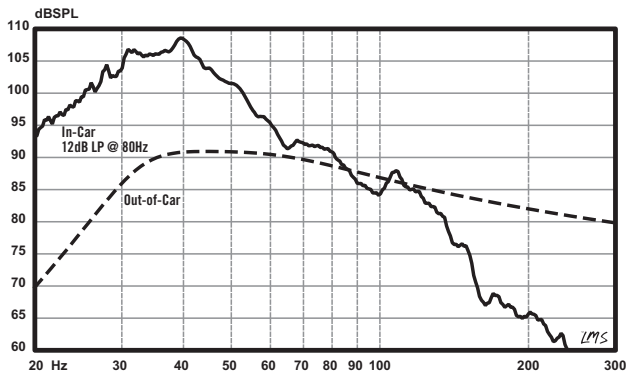
## VENTED BOX VOLUME (INCLUDES DRIVER/PORT DISPLACEMENTS)



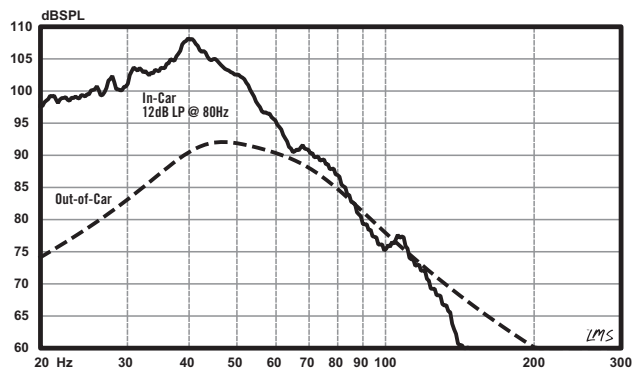
## BAND-PASS BOX VOLUME (INCLUDES DRIVER/PORT DISPLACEMENTS)



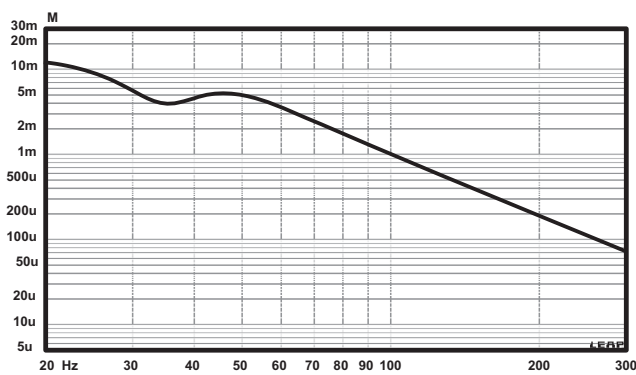
## VENTED ENCLOSURE FREQUENCY RESPONSE @ 2.83V



## BAND-PASS ENCLOSURE FREQUENCY RESPONSE @ 2.83V



## VENTED ENCLOSURE CONE EXCURSION @ 275W



## BAND-PASS ENCLOSURE CONE EXCURSION @ 275W

